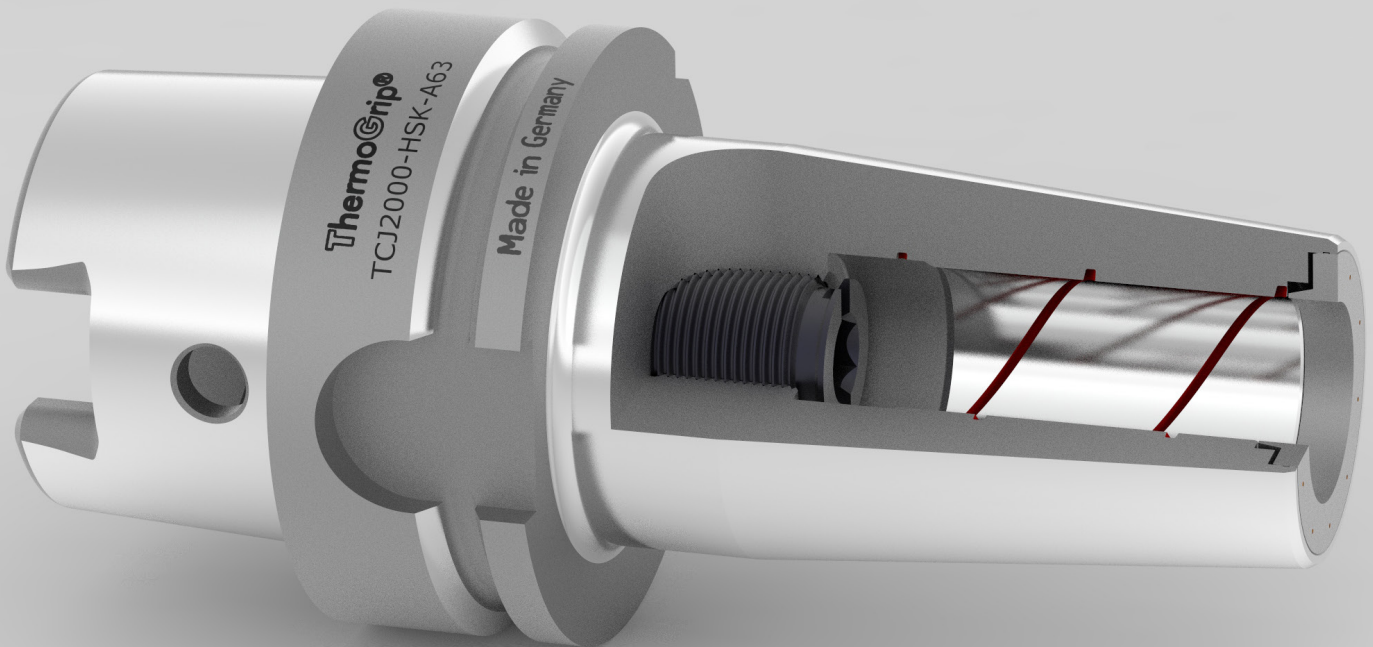


ThermoGrip® CORONA JET

The new benchmark for coolant supply



February 2016



Optimal coolant supply goes directly to the cutting edge.

- Increase of tool life
- Improved surface finish
- Milling of deep cavities, ridges, and holes
- Better cutting performance through higher feed rates

No overrun (over milling) of chips

- Higher surface quality, no scratching → No rework costs
- After tool breakage, no re-entry into the program is necessary
- No cutting outbreaks → Increase of service life

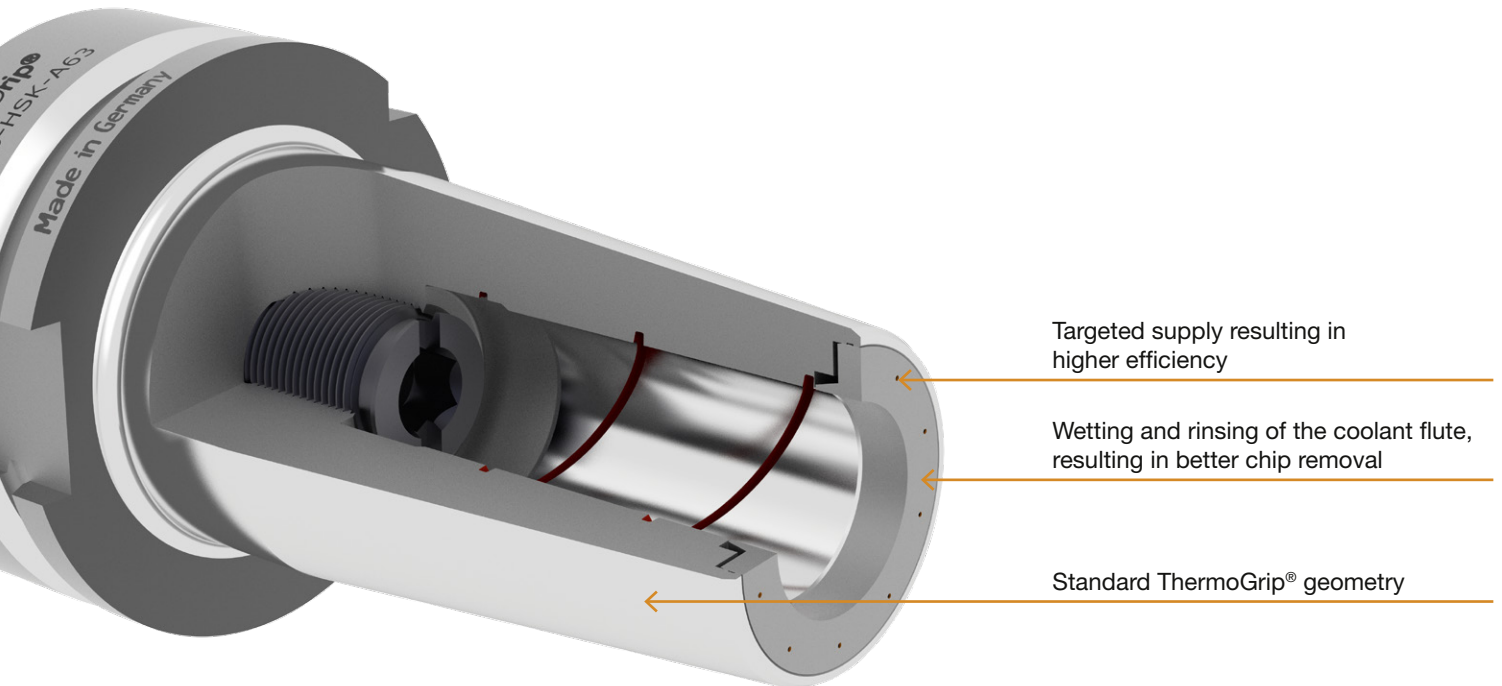
BILZ

Member of the Leitz Group

ThermoGrip® CORONA JET

The new benchmark for coolant supply

February 2016



Targeted supply resulting in higher efficiency

Wetting and rinsing of the coolant flute, resulting in better chip removal

Standard ThermoGrip® geometry

CORONA JET Program HSK-A 63

D1 [mm]	A [mm]	Designation
6	80	TCJ0600/HSK-A63*
8	80	TCJ0800/HSK-A63*
10	85	TCJ1000/HSK-A63
12	90	TCJ1200/HSK-A63
14	90	TCJ1400/HSK-A63
16	95	TCJ1600/HSK-A63
18	95	TCJ1800/HSK-A63
20	100	TCJ2000/HSK-A63

D1 [mm]	A [mm]	Designation
6	120	TCJ0600-120/HSK-A63*
8	120	TCJ0800-120/HSK-A63*
10	120	TCJ1000-120/HSK-A63
12	120	TCJ1200-120/HSK-A63
14	120	TCJ1400-120/HSK-A63
16	120	TCJ1600-120/HSK-A63
18	120	TCJ1800-120/HSK-A63
20	120	TCJ2000-120/HSK-A63

D1 [mm]	A [mm]	Designation
6	160	TCJ0600-160/HSK-A63*
8	160	TCJ0800-160/HSK-A63*
10	160	TCJ1000-160/HSK-A63
12	160	TCJ1200-160/HSK-A63
14	160	TCJ1400-160/HSK-A63
16	160	TCJ1600-160/HSK-A63
18	160	TCJ1800-160/HSK-A63
20	160	TCJ2000-160/HSK-A63

All articles without coolant supply

* On request

BILZ

Member of the Leitz Group